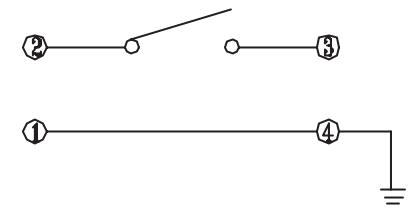
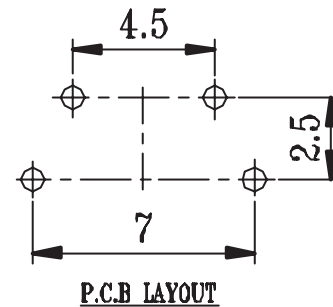
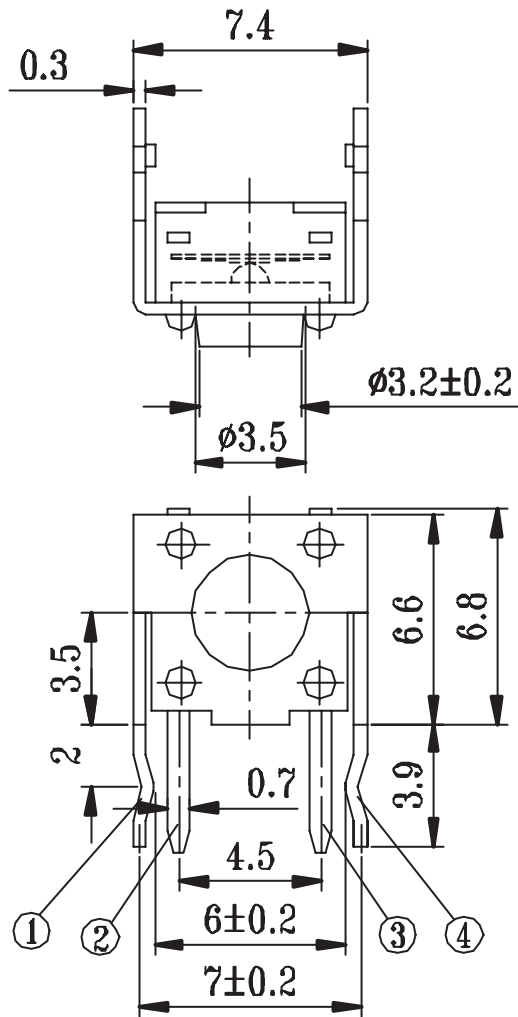
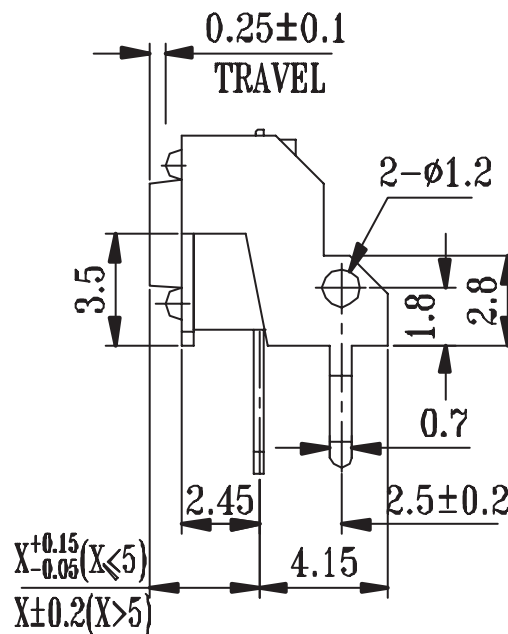




CAD FILE:



CIRCUIT DIAGRAM



TC0246	TC0105 KNOB	6.15
TC0245	TC0109 KNOB	11.35
TC0244	TC0106 KNOB	6.85
TC0243	TC0108 KNOB	8.35
TC0242	TC0104 KNOB	5.85
TC0241	TC0103 KNOB	3.85
TC0240	TC0102 KNOB	3.15
MODEL NO.	KNOB	X

OPERATING FORCE	CODE
100gf	T
130gf	V
160gf	X
170gf	W
190gf	Y
250gf	Z

NO.	PART NAME	MATERIAL	QTY	FINISHING
4	CASE	NYLON	1	BLACK/Ag PLATED
3	CONTACT	PBS C5210R-EH	1	Ag CLAD
2	COVER	ZINC PLATE	1	WASHING
1	KNOB	NYLON/POM	1	SEE KNOB CHART

TOLERANCE UNLESS SPECIFIED		ISSUE	DATE	DESCRIPTIONS	APPD.
WITHIN: 1.5±0.1mm					
OVER : 1.5±0.2mm					
TITLE: TACT SWITCH		UNIT : MM		DRWG NO.: SF-DR-TC0240-00	
MODEL: TC-0240~0246		SCALE: 4 : 1		DWN	
				CHK'D	
				APPD	

淮洋有限公司 HUAI YANG CO., LTD.